

DATACOM



Product
Catalog

Development and Technology

Datacom has always focused on the development of products and technological solutions. Investment in research and development is a hallmark of the company's history and culture, which underpins Datacom's actions to this day.

Since its founding in 1998, Datacom has pioneered the development of telecommunications products in Brazil. With 100% in-house development, Datacom launched its first telecommunications equipment line. In addition to R&D, Datacom also has its own manufacturing facility, producing state-of-the-art equipment using processes and technologies of global standards, recognized across multiple countries through various certifications and achievements.

Infrastructure

Datacom's headquarters is located in Eldorado do Sul, RS, Brazil, covering an area of over 120,000 m².

The site houses Datacom's main manufacturing plant with state-of-the-art SMT production lines, high-capacity assembly lines, and dedicated R&D laboratories.

The R&D area features laboratories that simulate real network environments with hundreds of devices, providing essential infrastructure for product development, including climatic chambers, high-end testing equipment, and operational NOCs for full testing and validation.

Clients

Datacom markets its products to more than 1,200 clients, including Telecom Operators, Internet Service Providers (ISPs), Utilities, Government Entities, Data Centers, and the Corporate Market, both in Brazil and abroad.

Datacom stands out for providing exceptional customer service through a network of highly qualified and trained technical teams, offering pre- and post-sales engineering support. Additionally, Datacom offers in-company training, DL courses, and technical certifications.

More than 10 million users currently rely on Datacom's products and technologies.

About Datacom

- Value aggregation strategy through continuous investments in R&D
- Close proximity to customers for portfolio and product design
- Broad portfolio including Switches, DWDM, GPON, Transceivers, Servers, Wi-Fi, and other Telecom technologies
- Service to multiple market segments: Telecom Operators, ISPs, Datacenters, Utilities, Government, and Corporate
- State-of-the-art manufacturing structure with high-volume and high-complexity production capabilities



This catalog provides an overview of Datacom's product and solution portfolio. Below is a content summary:

Ethernet Switches and IP/MPLS Aggregation

Product line of Ethernet switches and routers for access, aggregation, and core network applications.



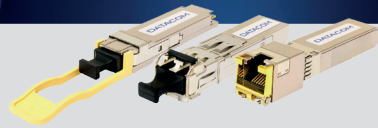
DWDM Optical Transport

Product line of transport and multiplexer systems for high-capacity optical transmission over short, medium, and long distances.



Transceivers

Complete line of pluggable modules for solutions up to 400GE, including optical, electrical modules, and DAC/AOC cables.



GPON

Complete line of OLTs and ONUs for GPON and XGS-PON networks, covering residential, corporate, and PON LAN applications.



Routers

Product line of IP CPE routers for corporate access, VPNs, and various IP use cases.



Servers

High-performance servers for corporate computing and cloud storage applications.



DmView

Integrated network management system for operation and maintenance of communication networks.



LAN and WLAN

Product line of Ethernet switches and Wi-Fi access points for high-performance corporate networks.



Support

Technical support structure and specialized services provided directly by Datacom to its clients.



Switches

Ethernet networks, based on IP protocols, are the backbone of communication and data transmission networks.

Ethernet technology has evolved rapidly in terms of transmission speeds, availability, reliability, and cost, consolidating itself as the preferred technology for LAN, MAN, and WAN communication networks.

As a result of continuous investments in R&D and product innovation, Datacom offers a complete Ethernet switch portfolio, composed of a full range of Ethernet, L2, L3, and IP/MPLS solutions, covering diverse network applications, from enterprise access services, interconnection of data centers, mobile backhaul, to other applications.

The Ethernet Switch line from Datacom is made up of different product families organized into a portfolio that covers applications

ranging from access networks to core network aggregation.

Families focused on access, such as the DM4300 products, and L2 aggregation, such as the DM4050 and DM4250, are complemented by IP/MPLS routers for core and aggregation networks, such as the DM4710 and DM4200.

The DM4700 family includes models with Mobile Backhaul support.

In addition to hardware platforms, Datacom also offers its own DmOS network operating system, providing a complete L2, L3, and IP/MPLS functionality suite to meet the needs of various applications.

Highlights

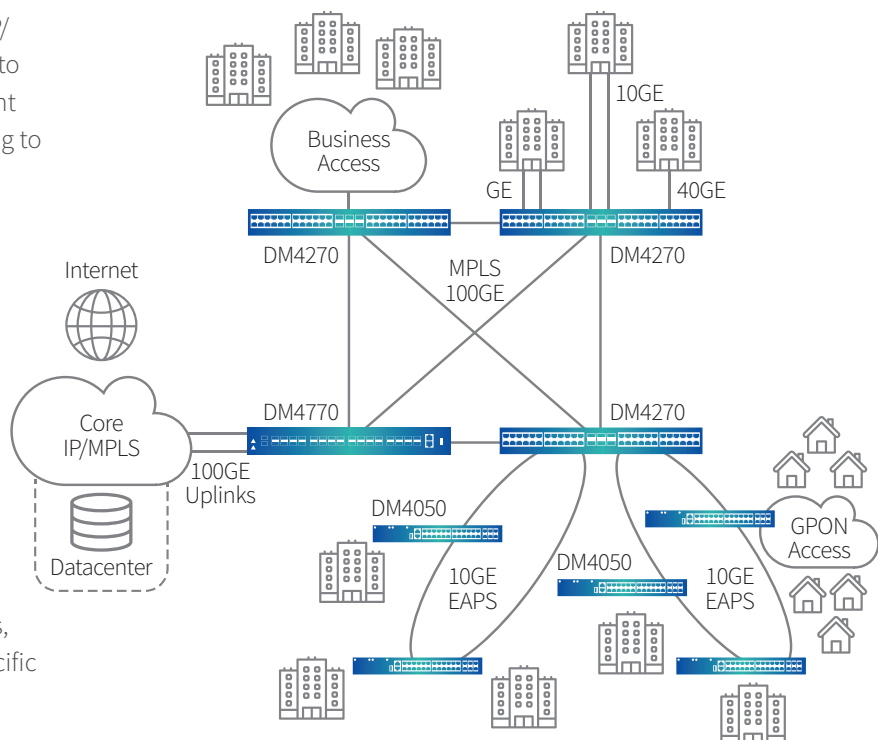
- Multiple switch models to support access and core network applications
- DmOS Operating System supporting L2, L3, and MPLS features for diverse applications
- Models with high-speed interfaces (1GE, 10GE, 25GE, 40GE, 100GE, and 400GE*)
- High hardware availability with support for redundant power supplies and redundant Ethernet links, including L2 and MPLS link aggregation for operation in redundant communication links
- AC and DC power supply options available for all switch models

Applications

With Datacom's Ethernet/IP/MPLS switch line, it is possible to implement networks of different sizes and capabilities, according to each client's needs.

The complete portfolio includes modules with 1GE to 400GE interfaces, along with the DmOS software platform supporting a variety of functionalities.

Networks can be designed with high capacity access and aggregation tiers, using different topologies such as rings, meshes, or tree networks, fitting the approach to the specific needs of each application and service.



Access Switches

Access switch line with L2, IP, and MPLS application support.



DM4340

Demarcation Switch (EDD) with L2 functionalities for corporate access services.

DM4340 4GT+2GX (4x GE RJ45 + 2x GE SFP)

DM4340 2GT+4GX (2x GE RJ45 + 4x GE SFP*)



DM4360

Demarcation Switch (EDD) with L2 and IP/MPLS functionalities for corporate access services.

DM4360 4GT+4GX (4x GE RJ45 + 4x GE SFP*)



DM4370

Demarcation Switch (EDD) with L2 and IP/MPLS functionalities for corporate access and link aggregation services.

DM4370 4GT+4GX+4XS (4x GE RJ45 + 4x GE SFP + 4x 10GE)



DM4380

Switch for demarcation and aggregation with L2 and IP/MPLS functionalities, for corporate access services, or link aggregation services in smaller PoPs.

DM4380 12XS+3CX (12x 10GE + 3x 100GE)

L2 Aggregation Switches

Aggregation switches with high port density and electrical and optical uplinks up to 10GE, supporting L2 functionalities.



DM4050

Aggregation switch with 1GE access ports and 10GE uplinks supporting L2 functionalities.

DM4050 24GT+6XS (24x GE RJ45 + 6x 10GE)

DM4050 24GX+6XS (24x GE SFP + 6x 10GE)



DM4250

Aggregation switch with 1GE access ports and 40GE uplinks supporting L2 functionalities.

DM4250 24GX+2CQX (24x 1GE SFP + 2x 40GE)

(*) Product in roadmap. Please check Datacom for availability.

IP/MPLS Aggregation Switches

Line of aggregation and core network switches with support for L2 and IP/MPLS applications.



DM4170

1GE aggregation switch with 10GE and 40GE uplinks and L2 and IP/MPLS functionalities.

DM4170 24GX+12XS (24x GE SFP + 12x 10GE)

DM4170 24GX+4CX (24x GE SFP + 4x 40GE)



DM4270

Aggregation switch with 10GE, 25GE, and 100GE ports and L2/IP/MPLS functionalities.

DM4270 24XS+2CX (24x 10GE + 2x 40GE)

DM4270 48XS+6CX (48x 10GE + 6x 100GE)



DM4770

High port density aggregation and core switch with 100GE ports and L2/IP/MPLS functionalities.

DM4770 16CX (16x 25GE + 16x 100GE)

DM4770 32CX (32x 10GE + 32x 100GE)



DM4780

High-capacity aggregation and core switch with 400GE interfaces and L2/IP/MPLS functionalities.

DM4780 16CX+8DX (8x 100GE + 8x 200GE + 8x 400GE)*

	Access					L2 Aggregation			DM4170 12XS
	DM4340 2GT	DM4340 4GT	DM4360	DM4370	DM4380	DM4050 24GT	DM4050 24GX	DM4250	
Electrical GE	2	4	4	4	—	24	—	—	—
Optical GE	4	2	4	4	—	—	24	—	24
10GE	—	—	—	4	12	6	6	24	12
25GE	—	—	—	—	—	—	—	—	—
40GE	—	—	—	—	—	—	—	2	—
100GE	—	—	—	—	3	—	—	—	—
200GE	—	—	—	—	—	—	—	—	—
400GE	—	—	—	—	—	—	—	—	—
IPoDWDM	—	—	—	—	—	—	—	—	—
L3	—	—	yes	yes	yes	yes	yes	yes	yes
MPLS	—	—	yes	yes	yes	—	—	—	yes
Sync	—	—	—	—	—	—	—	—	—

Mobile Backhaul Switches

Access and aggregation switches for Mobile Backhaul applications, supporting full network synchronization functionalities, including PTP 1588v2 and Synchronous Ethernet.



Access switch for mobile backhaul with network synchronization support.

DM4376 2GT+4GX+4XS

(2x GE RJ45 + 4x GE SFP + 4x 10GE)



Access switch for mobile backhaul, with network synchronization support and integrated Master Clock operation.

DM4378 2GT+4GX+4XS

(2x GE RJ45 + 4x GE SFP + 4x 10GE)



Switch for mobile backhaul aggregation with network synchronization and Master Clock operation support.

DM4280 20XS+4VS+2CX (20x 10GE + 4x 25GE + 2x 100GE)

IP/MPLS Aggregation & Core							Mobile Backhaul		
DM4170 2QX	DM4270 24XS	DM4270 48XS	DM4270 8XS	DM4770 16CX	DM4770 32CX	DM4780	DM4376	DM4378	DM4280
—	—	—	—	—	—	—	2	2	—
24	—	—	—	—	—	—	4	4	—
4	24	48	8	—	2	—	4	4	20
—	—	—	16	4	—	—	—	—	4
2	—	—	—	—	—	—	—	—	—
—	3	6	6	16	32	8	—	—	2
—	—	—	—	—	—	8	—	—	—
—	—	—	—	—	—	8	—	—	—
—	—	—	—	sim	—	yes	—	—	yes
yes	yes	yes	yes	yes	yes	yes	yes	yes	yes
yes	yes	yes	yes	yes	yes	yes	yes	yes	yes
—	—	—	—	—	—	—	yes	yes	yes

(*) Product in Roadmap. Check Datacom for availability.

High-Capacity DWDM Optical Transmission

Datacom's DWDM product line offers a complete solution for the development of metropolitan and access optical networks, supporting a full range of DWDM applications.

The DWDM product lines are divided into two main families, as described below:

DM936 Line
Stand-alone products for DWDM implementation in optical access and metropolitan networks, typically used without amplification.

DM4920 Line
DWDM DCI platforms for high-capacity networks, supporting 400Gbps per channel and aggregated transmission capacity of up to 1.6Tbps. It supports EDFA and Raman amplification and also offers optical protection switching, OTDR, and OSC management options.

Highlights

- Modular solutions enabling gradual investments over time, for expanding DWDM networks
- 400G transponders, supporting high transmission capacities
- Complete amplification solutions including EDFA and Raman for multiple distance ranges
- Support for optical protection modules OPS, OTDR modules, and OSC management
- High-availability hardware with redundant AC and DC power supplies

Applications

The Datacom DWDM line can be used in different types of data transmission applications:

- **DM4920 Alien DCI** – In data center applications, DM4920 can be used as a transport platform for high-capacity optical links, eliminating the need for active DWDM devices along the path.
- **Fiber Tap** – Using products like DM4920, it is possible to implement optical tap solutions on high-capacity links (100Gbps to 400Gbps), including amplification, optical protection, and multiport mux/demux functionalities.

DM936 Line

DWDM Standalone product line including Mux/Demux, dispersion compensators, and amplifiers. Below is a summary of the DM936 line.



Product	Description
DM936 D8CHL3	8-channel passive C-Band multiplexer/demultiplexer for transmission over 2 fibers. Installation using an adapter plate.
DM936 D16CHL3	16-channel passive C-Band multiplexer/demultiplexer for transmission over 1 fiber. 19" rack installation.
DM936 D48CH14	Passive Multiplexer/Demultiplexer in C-Band with 48 channels for transmission over 2 fibers. Rack-mountable, 19".
DM936 DCM40	LGX-format module for chromatic dispersion compensation of C-band DWDM signals. Compensates the equivalent of 40 km of chromatic dispersion.
DM936 DULXPER	LGX-format duplexer module for transporting signals in the 1260nm to 1340nm range with two-fiber modules on a single fiber.
DM936 EDFA LC/UPC	"Booster"-type optical amplifier for optical signals in the 1530nm to 1565nm range, with aggregate output power of up to +20dBm.

DM4920

The DM4920 is a next-generation DCI/DWDM platform supporting 400Gbps transponders and aggregated transmission capacity of 1.6Tbps. It offers support for EDFA and Raman amplification, Optical Protection Switch (OPS), OTDR, and OSC management.



The DM4920 chassis has the following features:

- 2 slots for optical multiplexer cards
- 2 slots for optical layer cards
- Support for up to 4x 400Gbps transponders
- Redundant AC and DC power supplies
- Redundant ventilation system
- Management, OSC, and OTDR interfaces

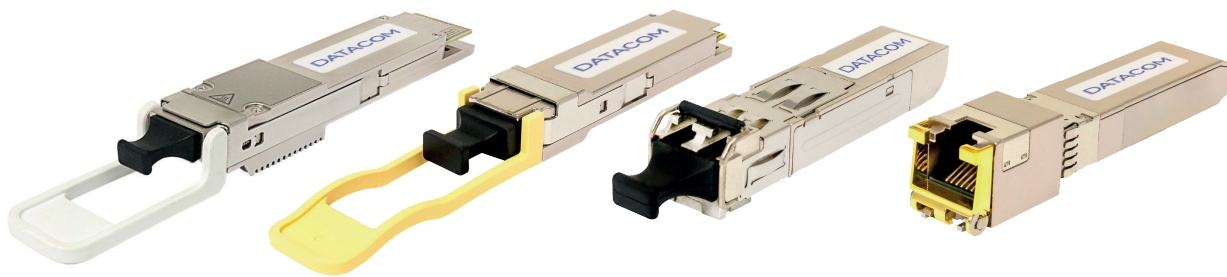
DWDM Line Card supporting two 400Gbps transponder line interfaces and 8 QSFP28 client interfaces of 100Gbps each.

The optical layer slots of the DM4920 platform can be equipped with a variety of boards supporting EDFA amplification, Raman amplification, Optical Protection Switches and 8-channel Mux/Demux. The table below describes each of the board models:

EDFA, RAMAN, and OPS



	LC-OAC20	LC-2xOAC20	LC-OAB17-S	LC-OAP26-S	LC-OAC20-R10-NB	LC-OPS
Description	EDFA Amplifiers with 1 or 2 embedded EDFAs		Amplifiers with embedded optical protection switch		Raman Amplifier	Optical Protection Switch
Amplifiers	1	2	1	1	1	-
Operation Mode	Booster, Pre-Amp, Regenerator		Booster + Optical protection switch	Pre-Amp + Optical protection switch	Raman + Booster, Pre-Amp, Regenerator	Optical protection switch
Amplification Mode	Gain or Power					
Range	1525nm to 1565nm				1545nm to 1551nm	1525nm to 1565nm
Input Power	Booster: -25 to 10dBm / P.A.: -30 to -5dBm		-25 to 10dBm	-40 to -5dBm	-38 to -10dBm	-
Output Power	-5 to 20dBm		-8 to 17dBm	-5 to 20dBm		
Monitoring Interface	1% of signal				0,5% Raman / 1% EDFA	-
OSC Channel Range	1504nm to 1516nm					



Transceivers

Datacom's Transceivers line is composed of a complete portfolio of connectivity solutions, featuring a wide variety of optical modules, transceivers, and cabling solutions.

The portfolio includes optical modules for Ethernet, electrical modules, DAC cables, AOC cables, and DWDM pluggable modules with or without

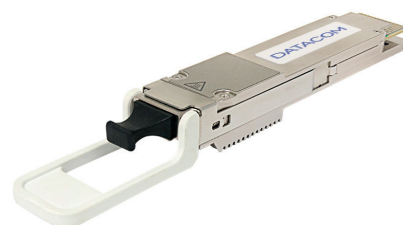
coherent support.

All Datacom transceivers undergo rigorous testing and certification processes in modern laboratories with state-of-the-art equipment to ensure the quality and performance of all products.

The tables below summarize the main models available in our portfolio.

DWDM / DCO

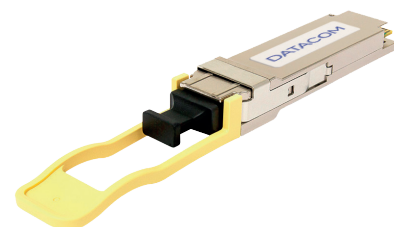
DWDM pluggable line, composed of channel-configurable and fixed-channel models, including 100GE and 400GE coherent pluggables, supporting different types of modulation and form factors.



Product	Interface	Form Factor	Coherent	λ (nm)	Range
DM-SFP10G-DWxx-80	10 Gbps	SFP+	-	C-Band, xx: fixed channel 19 ~ 50	80km
DM-QDD100G-OZR	100 Gbps	QSFP-DD	Yes	C-Band Tunable	120km
DM-QDD100G-OZR-v2	100 Gbps	QSFP-DD	Yes	C-Band Tunable	110km
DM-QDD400G-OZR-MR	400 Gbps, Multirate	QSFP-DD	Yes	C-Band Tunable	-
DM-QDD400G-OZR-HPMR	400 Gbps, Multirate, High Power	QSFP-DD	Yes	C-Band Tunable	-

400GE

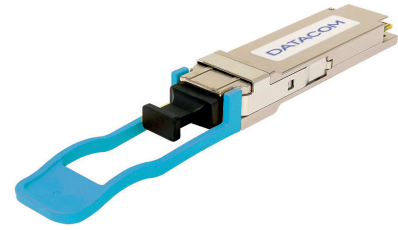
Pluggable modules supporting 400Gbps transmission rates, including options for Singlemode and Multimode fibers, with reaches ranging from 100m to 40km, or via 4x100G breakout.



Product	Speed	Form Factor	λ (nm)	Cable Type	Connector	Range
DM-QDD400G-SR8-100m	400 Gbps	QSFP-DD	850	MMF	MPO	100m
DM-QDD400G-EDR4-2	400 Gbps	QSFP-DD	1310	SMF	MPO	2km
DM-QDD400G-FR4-2	400 Gbps	QSFP-DD	1271 ~ 1331	SMF	LC	2km
DM-QDD400G-LR4-10	400 Gbps	QSFP-DD	1271 ~ 1331	SMF	LC	10km
DM-QDD400G-4x100G-4LR1-10	400 Gbps	QSFP-DD	1310	SMF	MPO	10km
DM-QDD400G-ER4-40	400 Gbps	QSFP-DD	1304 ~ 1311	SMF	LC	40km

100G/200G

Pluggable line supporting 100Gbps and 200Gbps transmission rates, available in distances ranging from 100m to 100km, in both single-fiber and dual-fiber versions.

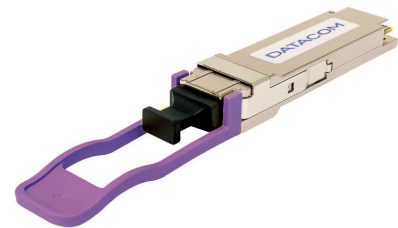


Product	Speed	Form Factor	λ (nm)	Cable Type	Connector	Range
DM-QSFP28-SR4-100m	100 Gbps	QSFP28	850	MMF	MPO	100m
DM-QSFP28-DR1-500m	100 Gbps	QSFP28	1310	SMF	LC	500m
DM-QSFP28-CWDM4-2	100 Gbps	QSFP28	1271 ~ 1331	SMF	LC	2km
DM-QSFP28-FR1-2	100 Gbps	QSFP28	1310	SMF	LC	2km
DM-QSFP28-LR1-10	100 Gbps	QSFP28	1310	SMF	LC	10km
DM-QSFP28-LR4-10	100 Gbps	QSFP28	1295 ~ 1309	SMF	LC	10km 20km (FEC)
DM-QSFP28-LR4-20	100 Gbps	QSFP28	1295 ~ 1309	SMF	LC	20km
DM-QSFP28-ER4-40	100 Gbps	QSFP28	1295 ~ 1309	SMF	LC	40km
DM-QSFP28-ER4L-40	100 Gbps	QSFP28	1295 ~ 1309	SMF	LC	40km (FEC)
DM-QSFP28-ZR4-80	100 Gbps	QSFP28	1295 ~ 1309	SMF	LC	80km
DM-QSFP28-EZR4-100	100 Gbps	QSFP28	1295 ~ 1309	SMF	LC	100km (1)
DM-QSFP28-B2931(B3129)-20	100 Gbps	QSFP28	1291 / 1311	SMF	LC, Bidi	20km
DM-QSFP28-B0409(B0904)-40	100 Gbps	QSFP28	1304 / 1309	SMF	LC, Bidi	40km
DM-Q200G-SR4-100m (*)	200 Gbps	QSFP56	850	MMF	MPO	100m
DM-Q200G-FR4-2 (*)	200 Gbps	QSFP56	1270 ~ 1330	SMF	LC	2km
DM-Q200G-LR4-10 (*)	200 Gbps	QSFP56	1295 ~ 1309	SMF	LC	10km
DM-QDD200G-LR4-10 (*)	200 Gbps	QSFP-DD	1295 ~ 1309	SMF	LC	10km

(1) Requires good quality link with attenuation in the range of 0.32 dB/km

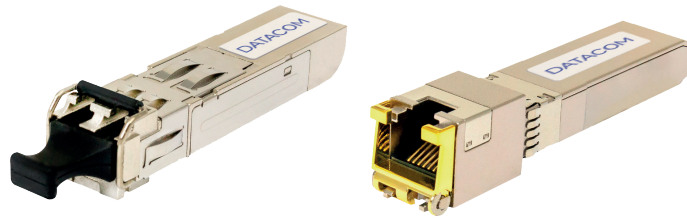
40GE

Pluggables supporting 40Gbps transmission rates, available for distances from 100m to 40km, including breakout options from 40GE to 4x10GE.



Product	Speed	Form Factor	λ (nm)	Cable Type	Connector	Range
DM-QSFP-SR4-100m	40Gbps	QSFP+	850	MMF	MPO	100m
DM-QSFP-LR4-10	40Gbps	QSFP+	1271 ~ 1331	SMF	LC	10km
DM-QSFP-PLR4-10	40Gbps	QSFP+	1310	SMF	MPO	10km
DM-QSFP-LR4-20	40Gbps	QSFP+	1271 ~ 1331	SMF	LC	20km
DM-QSFP-ER4-40	40Gbps	QSFP+	1271 ~ 1331	SMF	LC	40km

(*) Products under Roadmap. Check availability.



10G/25G

Pluggable line supporting 10GE and 25GE transmission rates, available in various reaches ranging from 30m to 80km, with different cable types and connector options. RJ45 models for copper cabling are also available. The line also includes options for bidirectional modules (BiDi) using a single fiber.

Product	Speed	Form Factor	λ (nm)	Cable Type	Connector	Range
DM-SFP10G-T-30m	10 Gbps	SFP+	–	Copper	RJ45	30m
DM-SFP10G-SR-300m	10 Gbps	SFP+	850	MMF	LC	300m
DM-SFP10G-LR-10	10 Gbps	SFP+	1310	SMF	LC	10km
DM-SFP10G-LR-20	10 Gbps	SFP+	1310	SMF	LC	20km
DM-SFP10G-ER13-40	10 Gbps	SFP+	1310	SMF	LC	40km
DM-SFP10G-ER15-40	10 Gbps	SFP+	1550	SMF	LC	40km
DM-SFP10G-ZR-80	10 Gbps	SFP+	1550	SMF	LC	80km
DM-SFP10G-EZR-100	10 Gbps	SFP+	1550	SMF	LC	100km
DM-SFP10G-B2733(B3327)-20	10 Gbps	SFP+	1270 / 1330	SMF	LC, Bidi	20km
DM-SFP10G-B2733(B3327)-40	10 Gbps	SFP+	1270 / 1330	SMF	LC, Bidi	40km
DM-SFP10G-B2733(B3327)-60	10 Gbps	SFP+	1270 / 1330	SMF	LC, Bidi	60km
DM-SFP10G-B4955(B5549)-80	10 Gbps	SFP+	1490 / 1550	SMF	LC, Bidi	80km
DM-SFP28-SR-100m	25 Gbps	SFP28	850	MMF	LC	100m
DM-SFP28-LR-10	25 Gbps	SFP28	1310	SMF	LC	10km
DM-SFP28-ER-40	25 Gbps	SFP28	1310	SMF	LC	40km
DM-SFP28-B2733(B3327)-10	25 Gbps	SFP28	1270 / 1330	SMF	LC, Bidi	10km
DM-SFP28-B2733(B3327)-20	25 Gbps	SFP28	1270 / 1330	SMF	LC, Bidi	20km
DM-SFP28-B2731(B3127)-40	25 Gbps	SFP28	1270 / 1310	SMF	LC, Bidi	40km

1G

Line of 1Gbps transceivers available for various optical and copper standards, with reaches from 100m up to 160km. Includes BiDi versions, LC and RJ45 connectors, for multimode and singlemode fiber applications. Compatible with various network solutions.



Product	Speed	Form Factor	λ (nm)	Cable Type	Connector	Range
DM-SFP-T-100m	1 Gbps	SFP	-	Copper	RJ45	100m
DM-SFP-SX-550m	1 Gbps	SFP	850	MMF	LC	550m
DM-SFP-SX-1	1 Gbps	SFP	1310	MMF	LC	1km
DM-SFP-LX-10	1 Gbps	SFP	1310	SMF	LC	10km
DM-SFP-LX-20	1 Gbps	SFP	1310	SMF	LC	20km
DM-SFP-EX-40	1 Gbps	SFP	1310	SMF	LC	40km
DM-SFP-ZX-80	1 Gbps	SFP	1550	SMF	LC	80km
DM-SFP-EZX-110	1 Gbps	SFP	1550	SMF	LC	110km
DM-SFP-EZX-160	1 Gbps	SFP	1550	SMF	LC	160km
DM-SFP-B3149(B4931)-20	1 Gbps	SFP	1310 / 1490	SMF	LC, Bidi	20km
DM-SFP-B3155(B5531)-20	1 Gbps	SFP	1310 / 1550	SMF	LC, Bidi	20km
DM-SFP-B3155(B5531)-40	1 Gbps	SFP	1310 / 1550	SMF	LC, Bidi	40km
DM-SFP-B3149(B4931)-60	1 Gbps	SFP	1310 / 1490	SMF	LC, Bidi	60km
DM-SFP-B4955(B5549)-80	1 Gbps	SFP	1490 / 1550	SMF	LC, Bidi	80km
DM-SFP-B5157(B5751)-120	1 Gbps	SFP	1510 / 1570	SMF	LC, Bidi	120km

DAC and AOC Cables

Portfolio of copper DAC and optical AOC cables available in different lengths, supporting transmission rates from 10Gbps up to 100Gbps.



DAC	Speed	Length
DM-SFP10G-DAC	10 Gbps	1m and 3m
DM-SFP28-DAC	25 Gbps	1m and 3m
DM-QSFP-DAC	40 Gbps	1m and 3m
DM-QSFP28-DAC	100 Gbps	1m and 3m
DM-QSFP-4xSFP10G-DAC	4x 10Gbps	1m and 3m
DM-QSFP28-4xSFP28-DAC	4x 25Gbps	1m and 3m
DM-QDD400G-DAC	400Gbps	1m and 3m

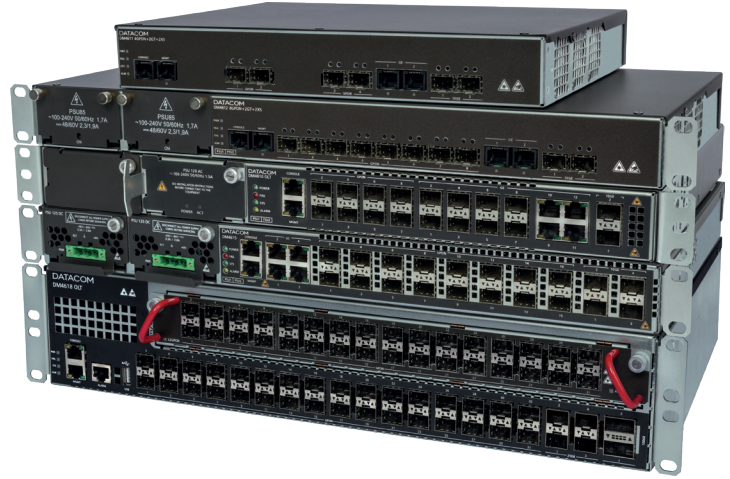
AOC	Speed	Length
DM-SFP10G-AOC	10 Gbps	5m
DM-SFP28-AOC	25 Gbps	5m
DM-QSFP-AOC	40 Gbps	5m
DM-QSFP28-AOC	100 Gbps	5m
DM-QSFP-4xSFP10G-AOC	4x 10Gbps	5m
DM-QSFP28-4xSFP28-AOC	4x 25Gbps	5m
DM-QDD400G-AOC	400Gbps	5m

GPON & XGS-PON

PON (Passive Optical Network) technology is a cost-effective solution for broadband access over optical networks, offering high speed and performance.

This technology enables optical fiber sharing while reducing costs and maximizing infrastructure utilization for multiple users.

Datacom offers a complete GPON and PON LAN product portfolio.



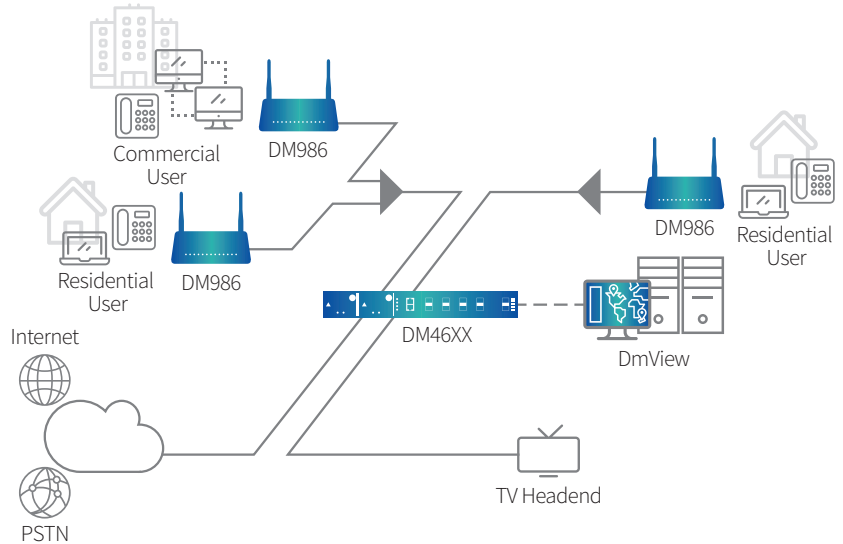
Applications

Triple Play Services

Triple Play services (broadband, VoIP, and IPTV) are an important part of telecom operators' service offerings.

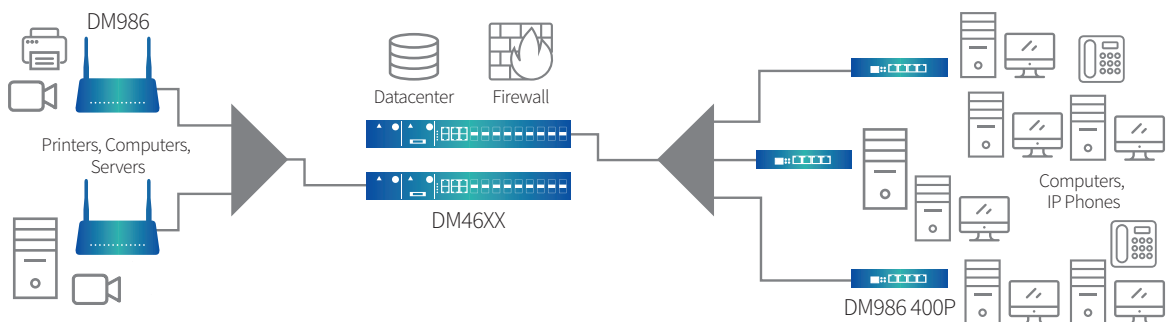
HDTV and IPTV services demand high network access speed and performance.

GPON technology is ideal for telecom operators to deliver Triple Play services over a cost-effective, scalable, and high-quality network compared to other technologies.



PON LAN

With the GPON and XGS-PON ONUs and OLTs line, it is possible to create a local area network (LAN) infrastructure based on passive optical technology (Passive Optical LAN, or PON LAN). The use of passive fiber technology in LAN networks brings a series of advantages and optimizations, such as reduced energy consumption, creation of a future-proof network due to the high bandwidth of fiber optics, greater reach of optical cables compared to copper cables, optimization of space in installations, among other benefits.



Optical Line Terminal (OLT)

Compact OLT models with 4 or 8 GPON ports for applications supporting 512 to 1024 clients.

DM4611/DM4612



OLTs with 4 or 8 GPON ports.

DM4610



OLT with 8 GPON ports and advanced switching functionalities for applications up to 1024 clients.

DM4615



OLT with 16 GPON ports and advanced switching functionalities for applications up to 2048 clients.

DM4616



OLT with 4 XGS-PON ports and 4x10GE uplinks for high-capacity PON applications.

DM4618



Modular GPON OLT supporting up to 8,192 subscribers with 32 onboard GPON ports and expansion slot for additional 32 ports. Supports uplinks with 4x25GE/10GE and 2x100GE interfaces.

	DM4611	DM4612	DM4610	DM4615	DM4618	DM4616
GPON Ports	4	8	8	16	64	–
XGS-PON Ports	–	–	–	–	–	4
GE Ports	2 (RJ45)	2 (RJ45)	8 (SFP) + 4 (RJ45)	2 (RJ45)	–	–
10GE Uplinks	2	2	2	4	–	4
25GE Uplinks	–	–	–	–	4	–
100GE Uplinks	–	–	–	–	2	–
Functionalities	L2/L3/PPP/PPPoE		L2/L3/MPLS/PPP/PPPoE		PPP/PPPoE	L2/L3/PPP/PPPoE
Power Supply	Integrated AC/DC and 12Vdc		2x AC/DC slots	2x AC/DC slots	2x AC/DC slots	2x AC/DC slots
Cooling Fans	Fixed	Fixed	Removable	Removable	Removable	Fixed

ONU and Wi-Fi Router

Datacom offers a range of GPON and XGS-PON ONUs, including bridge and Wi-Fi router models, designed for broadband access in residential and business environments.



ONU GPON Bridge/Router with 1 GE LAN port



ONU GPON Bridge with 1 GE LAN port and 1 voice port



ONU GPON Bridge with 4 GE PoE LAN ports



ONU GPON with 4 GE LAN ports, 1 voice port, and Wi-Fi AC1200



ONU GPON with 4 GE LAN ports, 1 voice port, and Wi-Fi 6 AX3000



ONU XGS-PON with 1 10GE LAN port and 1 GE LAN port



GPON ONU in SFP form factor



XGS-PON ONU in SFP+ form factor



Wi-Fi Router
DM956 4GT 3000

Wi-Fi Router with 4 GE LAN ports and Wi-Fi 6 AX3000

	DM986 100	DM986 110	DM986 400P	DM986 414Q	DM986 416 AX30	DM986 SFP	DM987 1010	DM987 SFP	DM956 4GT 3000
Product	GPON / EPON	GPON / EPON	GPON	GPON / EPON	GPON	GPON	XGS-PON	XGS-PON	Wi-Fi
LAN	1x GE	1x GE	4x GE	4x GE	4x GE	-	1x10GE + 1xGE	-	4x GE
Voice	-	1	-	1	1	-	-	-	-
Wi-Fi	-	-	-	AC1200	AX3000	-	-	-	AX3000
TR-069	Yes	Yes	Yes	Yes	Yes	-	Yes	-	Yes
Optical Termination Point	-	-	-	Yes	Yes	-	Yes	-	-

IP Access Routers

The DM2500 family of IP routers offers solutions for a wide range of access and VPN applications.

With a complete set of features and capabilities, they support OSPF and BGP protocols, IPsec tunneling, LTE interfaces, and flexible management options including SSH, Telnet, console, SNMP, Syslog, TACACS, and RADIUS.

Main Features

- Static routing and dynamic routing (RIP, OSPF, BGP)
- Link Aggregation (IEEE 802.3ad)
- Layer 2 and Layer 3 support with VLANs, QoS, MAC-based filtering
- Support for IPoE, PPPoE, NAT, DHCP, NTP, and other services
- IPsec for VPN implementation
- Service monitoring via Syslog, SNMP, CLI, Telnet/SSH
- Access control and authentication via TACACS or RADIUS
- BFD and TWAMP support for service monitoring

DM2500 4GT



Router with 4 GE RJ45 interfaces and Dual Core 800MHz processor

DM2500 6GT



Router with 6 GE RJ45 interfaces and Quad Core 1.5GHz processor

DM2500 4GT LTE



Router with 4 GE RJ45 interfaces, Dual Core 800MHz processor, LTE support

DM2500 4GT+2GX LTE



Router with 4 GE RJ45 interfaces + 2 GE SFP interfaces, Quad Core 1.5GHz processor, LTE support

	DM2500 4GT	DM2500 6GT	DM2500 4GT LTE	DM2500 4GT+2GX LTE
GE RJ45 Interfaces	4	6	4	4
GE Combo Interfaces	-	2	-	-
GE SFP Interfaces	-	-	-	2
Processor	Dual Core	Quad Core	Dual Core	Quad Core
LTE Support	-	-	Yes	Yes

Servers

The DM-SV server line is composed of two AMD EPYC® server models and two chassis models, along with a range of accessories to implement high-capacity converged infrastructure solutions.

The servers are based on Open Compute Project (OCP) concepts, delivering cost and space optimization for data centers, significantly simplifying operations and reducing costs.



DM-SV Server Models

	DM-SV01 Server	DM-SV04 Server
Sockets	2 processors	1 processor
RAM	16 DDR4 slots, Up to 2TB of total RAM	8 DDR4 slots, Up to 1TB of total RAM
Storage	Up to 10 E1.S slots, for a total of up to 73TB on NVMe SSDs	Up to 7 U.2 slots or up to 14 E3.S slots, for a total of up to 215TB on NVMe SSDs
Expansion	1x PCIe x16 + 1x PCIe x8 or 3x PCIe x8	1x or 2x PCIe OCP 3.0 slots
Network	1 OCP 2.0 slot, plus PCIe slots, can have up to 8x 25GE or up to 3x 100GE	1 or 2 OCP 3.0 slots, can have up to 8x 25GE or up to 4x 100GE

Chassis Models



Chassis supporting up to two DM-SV01 servers or one server with redundant AC or DC power supplies.



Chassis supporting up to four DM-SV01 or DM-SV04 servers with redundant AC or DC power supplies.

Accessories

Below are accessories that complement the server solution:

- JBODs: Chassis with SAS interfaces for high storage capacity expansion, supporting up to 108 3.5" HDDs per chassis.
- Storage Disks: Various models of high-performance SSDs and NVMe drives.
- Network Interfaces: PCIe cards with 10GE, 25GE, and 100GE interfaces, including different optical modules and DAC/AOC cables.
- HBA SAS Interfaces: PCIe cards for SAS high-performance and disaggregated storage.

DmView is Datacom's Integrated Network and Element Management System, developed for the supervision and configuration of Datacom equipment.

With an intuitive graphical interface and topological visualization of the equipment on maps, DmView provides several features that simplify network management.

The system enables the monitoring and visualization of the operational status of equipment, alarm identification, and firmware update notifications for equipment, CPEs, and even the DmView platform itself.

Additionally, it supports the use of CLI Templates and TR-069, streamlining and accelerating configuration operations.

DmView is compatible with the latest firmware versions of DmOS without requiring system updates.

Its TR-069 ACS solution manages Datacom and third-party CPEs, enabling remote upgrades, reboots, and bulk configuration.

Complementing this, the Zero Touch Provisioning (ZTP) feature allows automatic template execution upon receiving TR-069 informs or SNMP traps, automating the provisioning process of equipment.

All DmView functionalities include detailed auditing: every CLI command, NETCONF operation, or TR-069 parameter change is logged and can be traced,

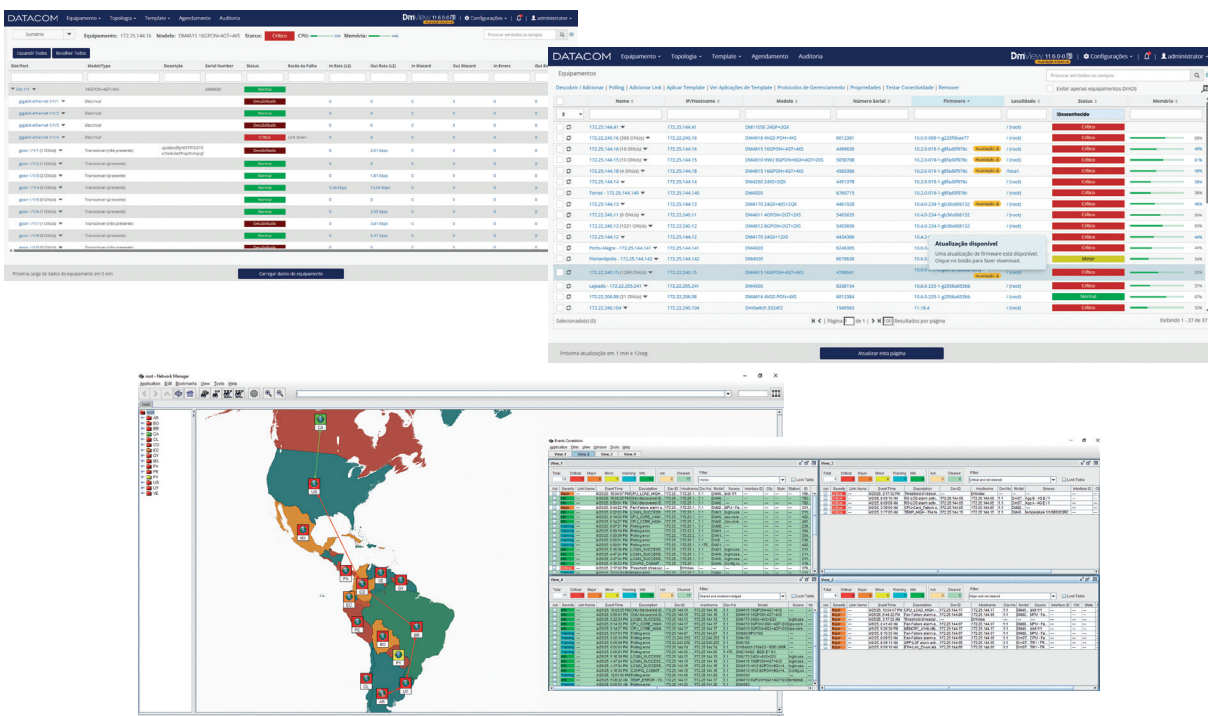
Main Features

- Real-time operational status monitoring and alarm management
- New firmware notifications for devices and CPEs
- Support for TR-069 templates and TR-069 Auto-Configuration
- Mass management for Datacom and multivendor CPEs
- Zero Touch Provisioning (ZTP) triggering
- CLI, SNMP, Web, and graphical management
- OSS/BSS platform integration
- Compatibility with Microsoft Windows a Linux operational systems and Oracle and MongoDB databases

along with all responses received by the system.

DmView supports the simultaneous access of multiple users and can operate in large-scale environments with over 200 simultaneous users. It can be integrated into OSS/BSS platforms or operate independently, adapting to different architectures — from field use via notebooks to centralized structures with redundant servers, high availability, failover, and load balancing.

The system is compatible with Microsoft Windows and Linux operating systems and supports Oracle and MongoDB databases.



LAN Switches

Ideal for LAN projects in small, medium, and large enterprises, Datacom's DM1000E line offers versatile L2 and L3 Ethernet switch models.

Designed to deliver flexibility and efficiency, the models feature Gigabit Ethernet and 10 Gigabit Ethernet ports for high-capacity backbones, ensuring high traffic volume handling.

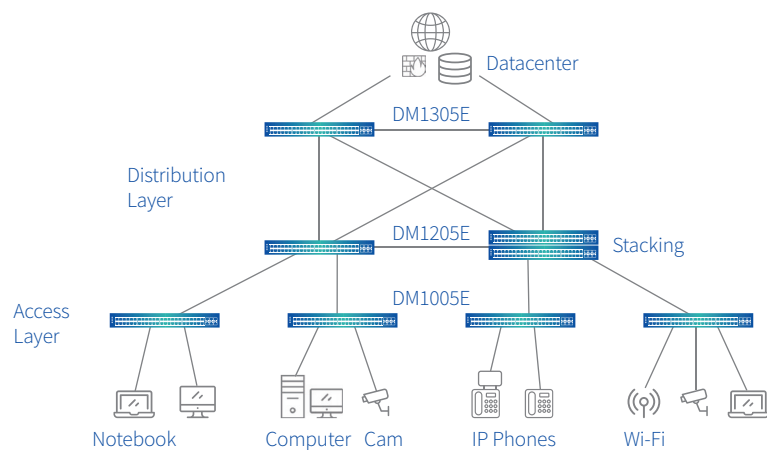
With stacking support, they enable simplified expansion, and the integrated Power over Ethernet (PoE) feature eliminates the need for additional power sources for connected devices like IP phones, cameras, and Wi-Fi access points.



Product	Product Description	Management Telnet/SSH/ Web/CLI	Syslog, SNMP, IEEE 802.1x	SNMP, VLAN, STP, IGMP	DHCP (Snooping, Client, Relay, Server)	Routing (Static, OSPF, BGP)	Stacking
DM1105E	L2 Ethernet Switch	✓	✓	✓	Snooping	-	-
DM1205E	L2 Stackable Ethernet Switch	✓	✓	✓	Snooping, Client, Relay, Server	Static	✓
DM1305E	L3 Stackable Ethernet Switch	✓	✓	✓		OSPF, BGP	✓

The DM1000E switch series offers different interface quantity and speed configurations, along with support for Power over Ethernet (see table below).

With Datacom LAN switches, it is possible to build a complete and high-capacity LAN network, enabling services such as IP voice, video monitoring, Wi-Fi access, among others.



	DM1105E				DM1205E				DM1305E	
	24GT+4GX	24GP+4XS	48GT+6XS	48GP+6XS	24GT+4XS	24GP+4XS	48GT+4XS	48GP+4XS	24GT+4XS	48GT+4XS
GE	24	-	48	-	24	-	48	-	24	48
GE SFP	4	-	-	-	-	-	-	-	-	-
GE PoE+	-	24	-	48	-	24	-	48	-	-
10GE	-	4	6	6	4	4	4	4	4	4

GE = Gigabit Ethernet ports | GE SFP = SFP Gigabit ports | 10GE = 10 Gigabit Ethernet uplinks

WLAN

Improve the efficiency of offices, corporate centers, hotels, and events with Datacom's Wi-Fi 6 Access Points.

The solution offers high data rates and robust support for multiple devices, ensuring a reliable and high-performance wireless network, with wide coverage and complete cloud management.



DM-AP 610



Indoor Wi-Fi 6 Access Point AX1800

- Up to 256 devices
- 32 SSIDs
- MU-MIMO 2X2
- 1x GE RJ45 port
- Wall/ceiling mount
- 48Vdc or PoE power

DM-AP 620



Indoor Wi-Fi 6 Access Point AX3000

- Up to 256 devices
- 32 SSIDs
- MU-MIMO 2X2
- 1x GE RJ45 and 2x GE SFP ports
- Wall/ceiling mount
- 48Vdc or PoE power

DM-AP 920



Outdoor Wi-Fi 6 Access Point AX3000

- Omnidirectional antennas
- Up to 1024 devices
- 32 SSIDs
- MU-MIMO 2X2
- 1x GE RJ45 and 2x GE SFP ports
- IP68 protection
- Pole or wall mount
- 48Vdc or PoE power

DM-AP GT110



Access Gateway and Controller

- 1x GE RJ45 WAN interface
- 1x GE RJ45 WAN/LAN interface with PoE+
- 6x GE RJ45 LAN interfaces with PoE+
- VPN/IPSec Gateway functions
- Firewall and Wi-Fi Controller functions
- Content Filtering

DmCloud

DmCloud is Datacom's cloud management platform, offering centralized control of all Datacom Wi-Fi equipment.

It enables simple and scalable administration, monitoring thousands of devices, and supporting Zero Touch Provisioning (ZTP) for large deployments and upgrades.



Specialized Technical Support, Direct from the Manufacturer



Datacom provides customers with a specialized technical support structure, offering assistance in the use of our products and in defining the most appropriate features and solutions for each need.

Our technical team works closely with the development, certification, and testing teams to deliver basic and advanced (L2/L3) technical support services.

We offer access to a wide range of training and technical resources, including:

- Configuration and firmware manuals
- E-learning platform with training sessions on network technologies and Datacom products
- Technical Blog with articles, updates, and best practices
- YouTube channel with tutorials, webinars, and practical demonstrations

This structure reflects our commitment to ensuring the continuous operation of our customers' networks and providing direct, reliable support at every stage of the relationship.

Access our support channels and explore the most comprehensive technical resources for telecom networks.

WhatsApp
Support



Support
Ticket Portal



E-learning
Platform



Technical
Blog



Technical
YouTube
Channel



Global Presence with Local Expertise



Datacom serves international markets through a growing network of certified partners, distributors, system integrators, and a dedicated International Sales Team.

Our global structure ensures a seamless business experience by offering expert support in product acquisition, distribution strategies, and integrated solutions for telecommunications, data centers, and corporate environments.

International Sales & Commercial Support

We are ready to support your project with in-depth technical expertise, commercial flexibility and a robust portfolio of carrier-class quality products.

Connect with our International Sales Team:

- Visit: www.datacom.com.br/en
- Navigate to **Sales** in the top menu
- Select **International Sales** to access our contact form

Scan the QR code below for direct access:

International
Sales





DATACOM

www.datacom.com.br

