

DATACOM



DM4250

10 GIGABIT ETHERNET AGGREGATION SWITCH

DATASHEET

DM4250

10 GIGABIT ETHERNET AGGREGATION SWITCH

ETHERNET SWITCH BASED ON DMOS NETWORK OPERATING SYSTEM WITH 10GE AND 40GE INTERFACES FOR HIGH CAPACITY AND VALUE ADDED METRO ETHERNET APPLICATIONS.

DM4250 provides high switching capacity to meet the growing demands of traffic aggregation and access to high capacity services on Metro Ethernet and local area networks, always delivering high performance and reliability.

Based on the modular network operating system DmOS, DM4250 ensures robustness and high availability of services on a platform with support for a number of L2 and IP functionalities. Features like VLAN operations such as QinQ and VLAN Translate, LAG/LACP, ring operation through the EAPS or ERPS protocols, RSTP support, static and dynamic IP routing protocols using OSPF and BGP, access policy creation (ACL) filters, QoS functionality, among others. All L2 and IP packet forwarding, as well as filtering and QoS policy applications is done in HW, ensuring wirespeed operation for any packet size.

DM4250 offers configuration via command line (CLI) accessible by SSHv2, Telnet and RS-232 or USB console port. RADIUS and TACACS functionalities enable the creation of user authentication and access authorization policies. Local and remote Syslog features, NTP, DHCP, and SNMP clients are also available to enable equipment remote management and troubleshooting.

DM4250 is a compact 1U height switch ready for installation on standard 19 inches racks. It features power redundancy through two hot-swap slots for universal AC or DC power supplies, enabling the operation of high availability services.

- 24 optical 10Gigabit Ethernet ports (SFP+)
- Two 40Gigabit Ethernet uplink interfaces (QSFP+)
- Compact 1U height design
- VLAN, QinQ, VLAN Translate, ERPS and EAPS support for Metro Ethernet applications
- L2 tunneling protocols for LAN-to-LAN services
- Static and dynamic routing through OSPF or BGP
- Two hot-swap slots for redundant AC or DC power supplies

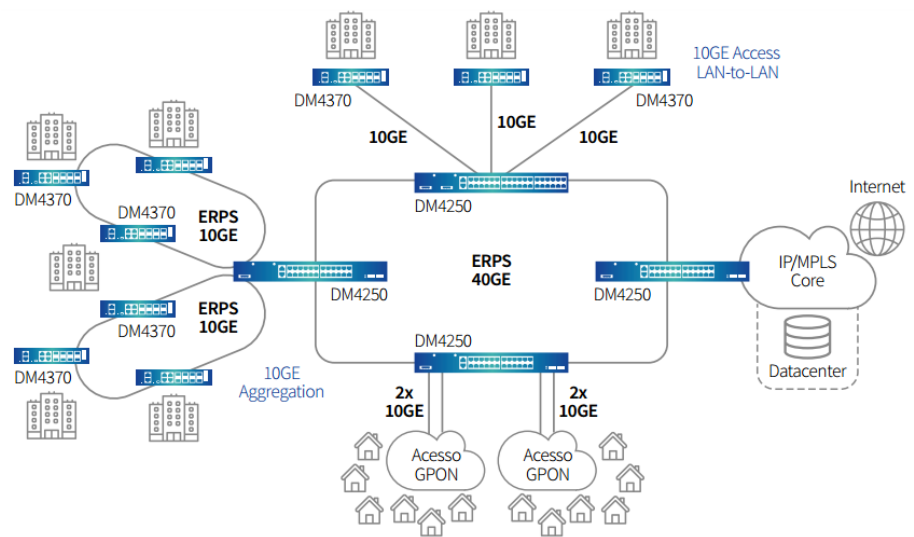
10GE ACCESS WITH DM4370

DM4250 together with the DM4370 access switch, form a perfect combination to provide high capacity and value added Metro Ethernet and IP services.

APPLICATIONS

METRO ETHERNET AGGREGATION

The DM4250 switch, through its 10GE and 40GE optical interfaces and the complete support for L2 switching and IP routing functionalities, can address high capacity metro ethernet applications, offering a reliable and highly available solution for corporate IP access and broadband services. The product supports different network topologies like ring or linear, allowing the network design that best fits the service requirements.



TECHNICAL SPECIFICATIONS

		DM4250 24XS+2QX
HARDWARE CHARACTERISTICS	Power supply	2 hot swappable slots for PSUs compatible with PSU 125 AC and PSU 125 DC
	PSU 125 AC – Power input	100Vac to 240Vac
	PSU 125 DC – Power input	-38,4Vdc to -72Vdc
	Maximum power consumption	120 W
	Typical power consumption	95 W
	Operational temperature (*)	0°C to 55°C
	Operational relative humidity	10% to 90%, non-condensed
	Operational altitude	0 to 3000m
	Storage temperature	-20°C to 70°C
	Storage relative humidity	10% to 90%, non-condensed
	Dimension (H x D x W)	43mm x 209mm x 444mm (482mm with brackets)
	Weight	3,15kg
	10G Base-X (SFP+)	24
	40G Base-X (QSFP+)	2
	GE Outband Management (RJ45)	1
	Console (RJ45)	1
	USB Host (type A)	1
	USB Device (type B)	1
	Alarms (**)	1 output and 2 inputs

(*) For environments with temperatures above 45°C, it may be necessary to use extended temperature range optical modules, depending on the quantity and power of the modules.

(**)Product / Feature in roadmap. Contact DATACOM for availability information.

STANDARDS

ANATEL

Resolução 242 *Rules for Certification and Homologation of Telecommunication Products*

Resolução 323 *Standard for Certification of Telecommunication Products*

Resolução 442 *Rules for the Certification of Telecommunication Equipment in Aspects of Electromagnetic Compatibility*

ETSI

EN 300 019-1-1, Class 1.2 Environmental Conditions for storage

EN 300 019-1-2, Class 2.3 Environmental Conditions for Transport

EN 300 386 V1.6.1 (2012-09) Electromagnetic compatibility and Radio spectrum Matters (ERM)

EN 55022 Information technology equipment. Radio disturbance characteristics - Class A

IEC

60825-1 Laser Safety Class

61000-4-11 Voltage dips, short interruptions and voltage variations immunity tests

61000-4-6 Immunity to conducted disturbances, induced by radio-frequency fields

EN 61000-4-2 Electrostatic Discharge Immunity Test


EN 61000-4-4 Electrical fast transient/burst immunity test

EN 61000-4-5 Surge immunity test

ACCESSORIES

Accessory	Description
QSFP+ 40GE <i>PN: Inquire</i>	Optical 10 Gigabit Ethernet QSFP+ modules. 100m, 10km and 40km models.
QSFP+ to QSFP+ Direct Attach Copper Cable <i>PN: Inquire</i>	Copper cable for interconnection of 40 Gigabit Ethernet ports, 1m or 3m length options.
SFP+ 10GbE <i>PN: Inquire</i>	Optical 10 Gigabit Ethernet SFP+ modules. Several models with varying power and reach specifications are available.
PSU 125 AC <i>PN: 800.5187.xx</i>	AC full range (100V-240Vac) power supply.
PSU 125 DC <i>PN: 800.5188.xx</i>	DC full range (-38,4Vdc to -72Vdc) power supply.

ORDERING INFORMATION

Model	Description	
DM4250 24XS+2QX <i>800.5197.xx</i>	Manageable L2/L3 wirespeed Ethernet Switch, 24x 10 Gigabit Ethernet optical ports (SFP+) and 2x 40 Gigabit Ethernet optical ports (QSFP+), Metal 1U cabinet for 19" racks. Up to two AC or DC power supplies (not included).	

DATAKOM

Rua América, 1000 | 92990-000 | Eldorado do Sul | RS | Brasil
+55 51 3933 3000
sales@datacom.com.br